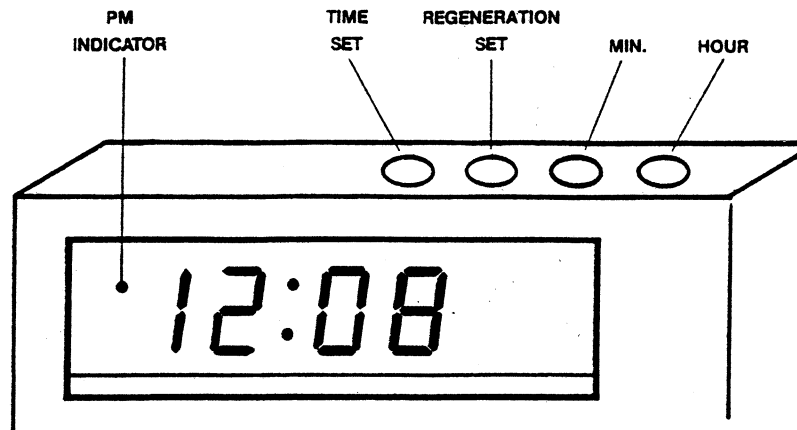


MODEL 5600 ECONO II™

start-up procedure



OPERATION

Plug the power cord into a standard 120 VAC 60Hz outlet. The display will flash 12:00 once per second. This is normal and will stop when you set the time.

After power is applied, the battery may be connected and placed under the drive motor, on the back of the valve, behind the timer. (We recommend using only 9-volt alkaline batteries.)

SETTING THE TIME

1. FOR HOUR — Press and hold time set button, then press and release HOUR button to advance the hour display.
2. FOR MINUTE — Press and hold time set button then press and release MINUTE button to advance the minute display.

When both hours and minutes are correct, release the time set button. The P.M. INDICATOR dot will be on when the clock is reading P.M. time. off when reading A.M. time. This also applies to the display of REGENERATION SET TIME.

SETTING THE REGENERATION TIME

Press and hold REGENERATION set button, then press and release the HOUR and MINUTE buttons to set the time for regeneration. Then release the REGENERATION set button.

BATTERY BACK UP

In the event of a power failure, the clock display will go dark, but the battery circuit will save the time of day and regeneration set time. Then, when power is restored, the correct time will again be displayed. Battery backup is limited to 12 hours of total power outage before needing a new battery.

DEAD BATTERY TEST

Before testing for dead battery, press the REGENERATION SET button and make a note of the regeneration set display, then release the REGENERATION SET button. Then make a note of the time of day displayed.

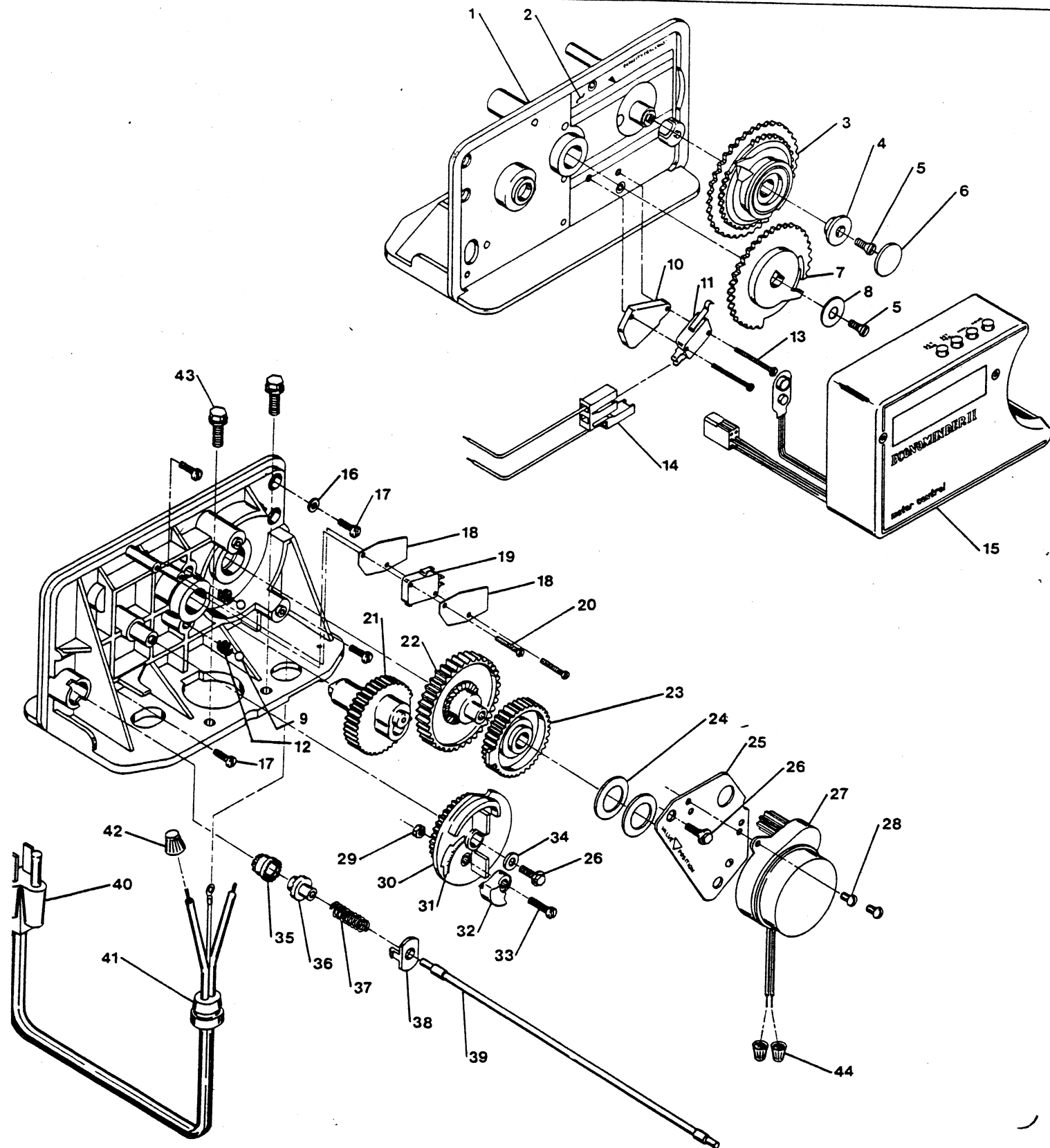
To test for dead battery condition, unplug the power cord for 5 seconds, then restore power by plugging it in again. If the display flashes 12:00 once per second, the battery is dead and should be removed immediately.

If the battery is not dead, the correct time of day will be displayed when power is restored. If the display flashes, (dead battery) refer to SETTING THE TIME and SETTING THE REGENERATION TIME. The system will operate normally without a battery until a power failure occurs.

MODEL 5600 ECONO II

control valve drive assembly

(see opposite page for parts list)



**MODEL 5600 ECONOMINDER II
TIMER - METER INITIATED
PARTS LIST**

ITEM NO.	NO. REQ'D.	PART NO.	DESCRIPTION
1	1	15494	L-Plate Assy.
2	1	16014	Front Label - Silver
3	1	15996	Program Wheel Assembly - Spec.
4	1	13806	Program Wheel Retainer
5	2	13748	Screw - Program Wheel
6	1	13953	Cover Label - Program Wheel
7	1	13802	Cycle Actuator Gear
8	1	12037	Washer
9	2	13300	Ball - 1/4 Dia.
10	1	15945	Switch Spacer
11	1	10896	Micro Switch
12	2	14457	Spring - Detent
13	2	15978	Switch Mounting Screw
14	1	15999	Wire Harness
15	1	16004	Timer Assy. 120v.
	1	16010	Timer Assy. 24v.
16	1	12036	Washer
17	4	13319	Cover Screw
18	2	15993	Insulator
19	1	10218	Micro Switch
20	2	13916	Screw - Switch Mounting
21	1	15990	Main Gear & Shaft
22	1	13017	Idler Gear
23	1	23045	Drive Gear
24	2	13299	Curved Washer
25	1	13175	Motor Mounting Plate
26	3	13296	Screw - Component Mounting
27	1	13400	Motor - 120v., 60Hz
	1	13494	Motor - 24v., 60Hz
28	3	11384	Screw - Motor Mtg. & Grd. Wire
29	1	11081	Nut - Time Cam Fill
30	1	13168	Brine Cam
31	1	13307	Label - "Lbs. of Salt - 3-18"
	1	13489	Label - "Lbs. of Salt - 6-36"
32	1	13169	Time Fill Cam
33	1	11980	Screw - Time Fill Cam
34	1	12037	Washer
35	1	13830	Drive Pinion - Program Wheel
36	1	13831	Clutch - Drive Pinion
37	1	14276	Spring
38	1	14253	Spring Retainer
39	1	14043	Flexible Cable Assembly
40	1	11842	Electrical Cord
41	1	13547	Strain Relief
42	2	13706	Wire Connector
43	2	12473	Screw - Drive Mounting
44	2	12681	Wire Connector
45	1	15995-01	Orange Wire - Limit Switch (Not Shown)
46	1	15995-02	Blue Wire - Limit Switch (Not Shown)
47	1	16129	Wire Tie (Not Shown)
48	1	16168	Wire Harness (Not Shown)

MODEL 5600 ECONO II

wiring diagram for valve drive motor and timer

