

Post-It® Fax Note	7671	Date	9/16/99	# of Pages	4
To	Baldery	From	Schultz		
Co./Dept.	Dupage	Co.			
Phone #		Phone #			
Fax #	630-293-7516	Fax #			

The 2800 ECONOMINDER brings positive demand regeneration control to 2" commercial water conditioning installations at low cost. It is a proven, easy-to-install mechanical system for single, alternating and other twin/multiple tank systems.

- for 12" thru 24" commercial systems
- top mounted with high flow diaphragm service valves
- fully adjustable 5 cycle regeneration program with timed brine refill
- 2" solid brass meter with inlet union connection
- immediate, time delayed or manual regeneration
- 2,000 to 100,000 gallon capacity range
- time-proven mechanical meter design registers flow even during power outages
- simple two-step programming - set the gallons, set the time

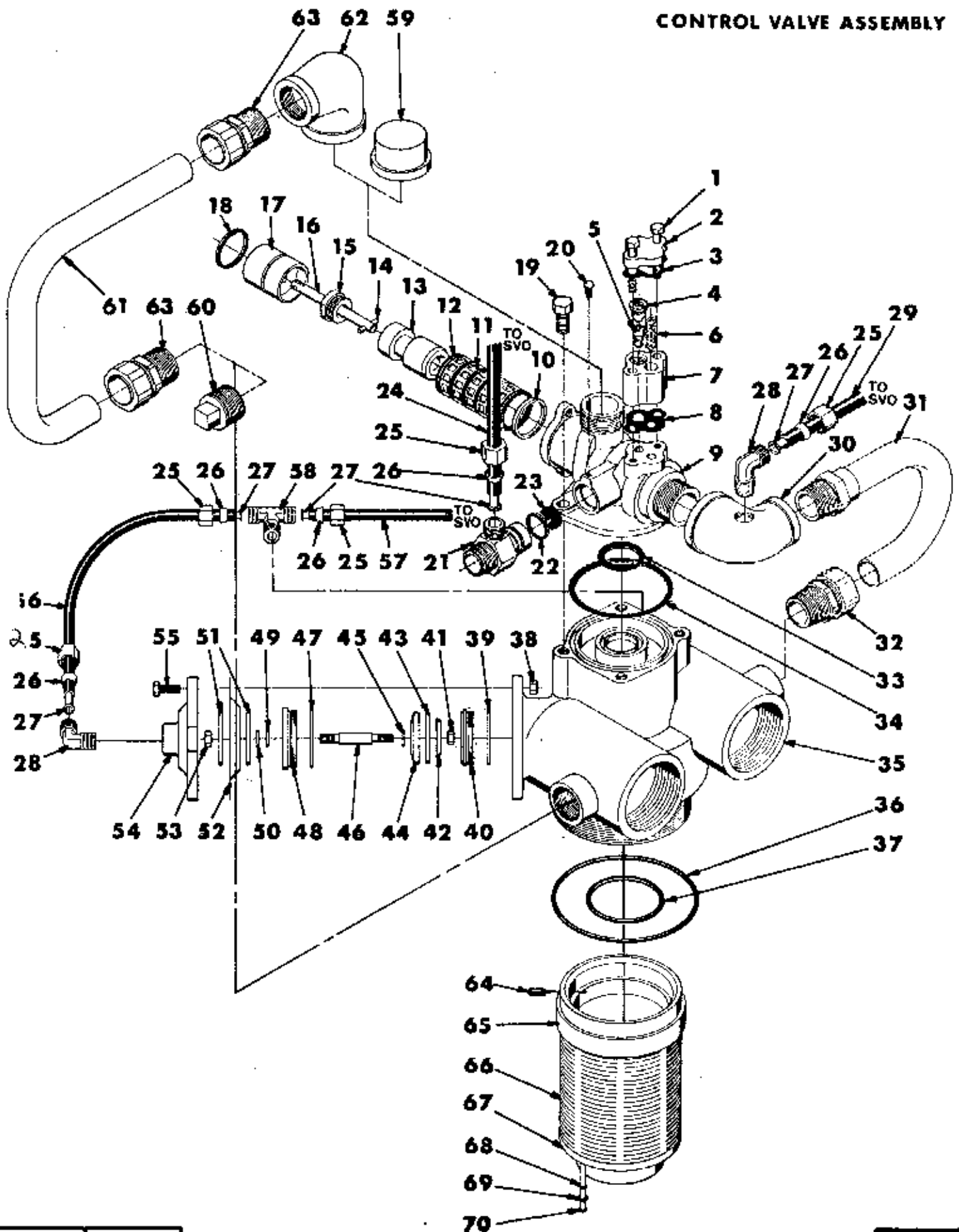
# THE 2800 ECONOMINDER®

2" commercial demand regeneration control



Flare Valve Kit  
770-1254

### CONTROL VALVE ASSEMBLY



A13549 879

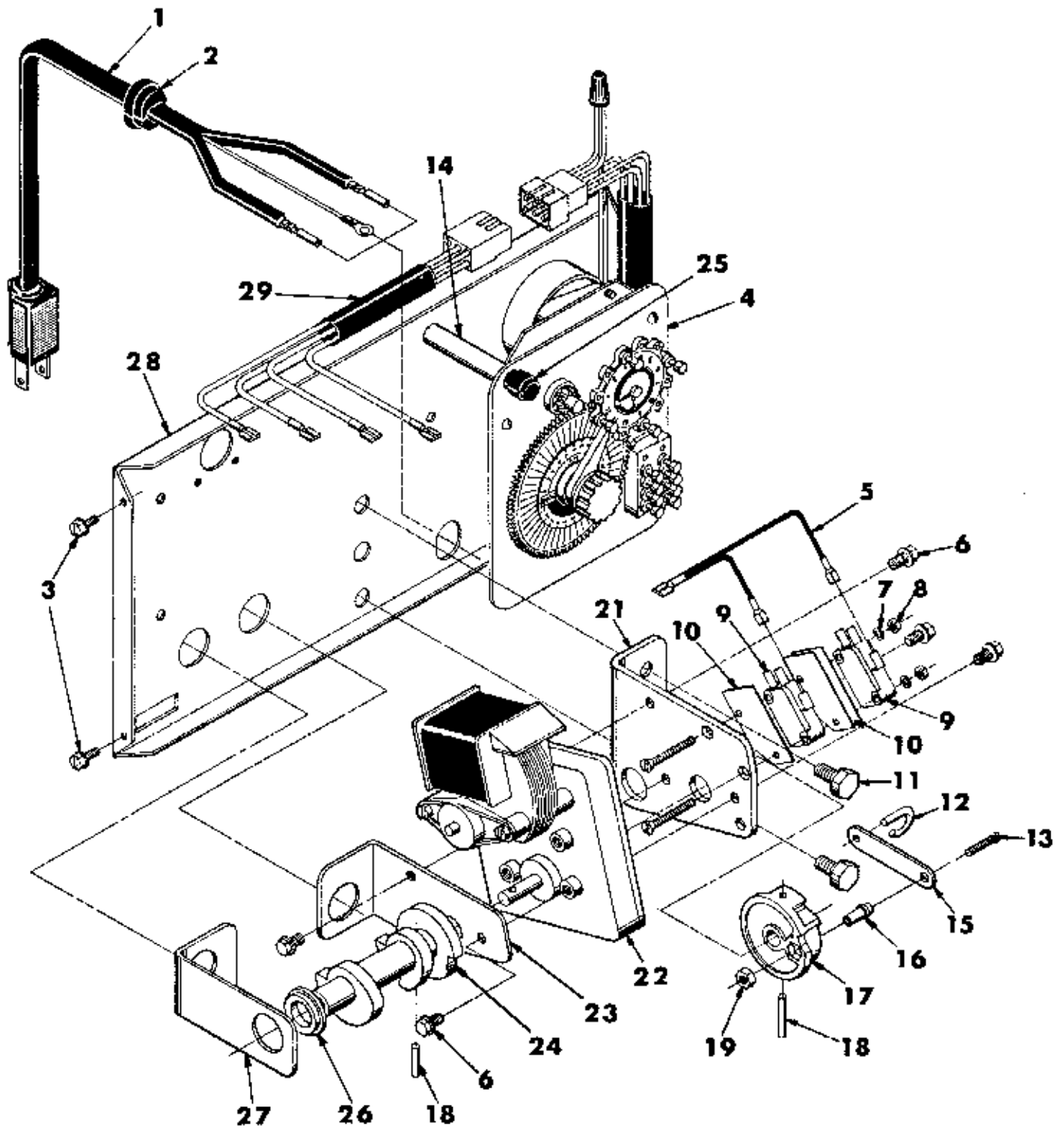
2800

(See Other Side For Parts List)

**CONTROL VALVE - MODEL 2800**  
**PARTS LIST**  
**Dwg. No. A-13549**

Item No.	Req'd.	Part No.	Description
1	2	A-10692	Injector Body Screw
2	1	A-10228	Injector Cover
3	1	A-10229	Injector Cover Gasket
4	1	A-10913	Injector Nozzle
5	1	A-10914	Injector Throat
6	1	A-10227	Injector Screen
7	1	C-12083	Injector Body
8	1	A-11475	Injector Body Gasket
9	1	C-11354	Control Valve Body
10	1	A-10757	End Spacer
11	5	A-11451	Spacer
12	6	A-10545	Seal Ring
13	1	A-12081	Piston
14	1	A-10696	Piston Pin
15	1	A-10695	Piston Rod Retainer
16	1	A-10838	Piston Rod
17	1	A-13572	End Plug Assembly
18	1	A-10234	Seal "O" Ring
19	2	A-11224	Hex. Head Cap Screw
20	1	A-11180	Flow Control Retainer Screw
21	1	B-12619	Flow Control Retainer (For 1.2 to 7.0 G.P.M.)
22	1	A-11183	Seal "O" Ring
23	1		Drain Line Flow Control Washer (Specify Flow Rate in G.P.M. - 1.2 to 7.0 G.P.M.)
24	1	A-12898	3/8 O.D. Flexible Tube (S.V.O. to Drain)
25	5	A-10329	Fitting Nut
26	5	A-10330	Delrin Sleeve
27	5	A-10332	Insert Sleeve
28	2	A-10328	90° Elbow - 1/4 Pipe Thd. to 3/8 Nut
29	1	A-13574	3/8 O.D. Flexible Tube (Inlet to S.V.O.)
30	1	A-13470	Reducing Elbow 1" to 3/4" Pipe Thd.
31	1	C-13492	Inlet Tube
32	1	A-13468	Compression Fitting
33	1	A-13613	Seal "O" Ring
34	1	A-11208	Seal "O" Ring
35	1	A-13406	Service Valve Adapter - 4" - 8 Tank Thread
36	1	A-13406A	Service Valve Adapter - 4-1/2" - 8 Tank Thread
37	1	A-13575	Seal "O" Ring - 4" - 8 Tank Thread
38	1	A-13576	Seal "O" Ring - 4-1/2" - 8 Tank Thread
39	1	A-13577	Distributor Tube "O" Ring - 1-1/2 Pipe
40	1	A-13578	Distributor Tube "O" Ring - 50mm Tube
41	8	A-11235	Hex. Nut - 1/4 - 20 Thread
42	2	A-13579	Seat Gasket
43	2	A-13580	Seat
44	2	A-13581	Lock Nut - 1/4 - 28 Thread
45	2	A-13582	Disc Plate
46	2	A-13583	Disc
47	2	A-13584	Disc Retainer
48	2	A-13585	Static Gasket
49	2	A-13586	Shaft
50	2	A-13587	Retainer Gasket
51	2	A-13588	"O" Ring Retainer
52	2	A-13589	Dynamic "O" Ring
53	2	A-13590	Static Gasket
54	4	A-13591	Diaphragm Plates
55	2	A-13592	Diaphragm
56	2	A-13593	Lock Nut - 5/16 - 24 Thread
57	2	A-13594	Cap
58	8	A-13595	Hex. Head Cap Screw - 1/4 - 20 x 1"
59	1	A-13596	3/8 O.D. Flexible Tube
60	1	A-13617	3/8 O.D. Flexible Tube (S.V.O. to Service Valve)
61	1	A-13469	Male Branch Tee - 1/4 Pipe Thd. to 3/8 Tube
62	1	A-12248	Cap - 1" Pipe Thread
63	1	A-13597	Pipe Plug - 3/4 Pipe Thread
Hard Water By Pass Option:			
64	1	C-13493	Hard Water By Pass Tube
65	1	A-13598	Reducing Elbow
66	2	A-13468	Compression Fitting
Top Distributor Option:			
67	2	A-12044	Collector Mounting Pin
68	1	B-13448	Mounting Ring
69	28	A-13475	Segments
70	1	A-13476	Collar
71	5	A-10268	Rubber Washer
72	5	A-13477	Plain Washer # 5
73	5	A-13478	Round Head Machine Screw
74	5	A-13614	Diaphragm and Seal Kit (Includes items 39, 43, 45, 47, 49, 50 & 52)
75	5	A-13615	Internal Parts Kit (Includes items 40, 41, 42, 44, 46, 48, 51(2), 53 and Diaphragm and Seal Kit

# CONTROL VALVE DRIVE

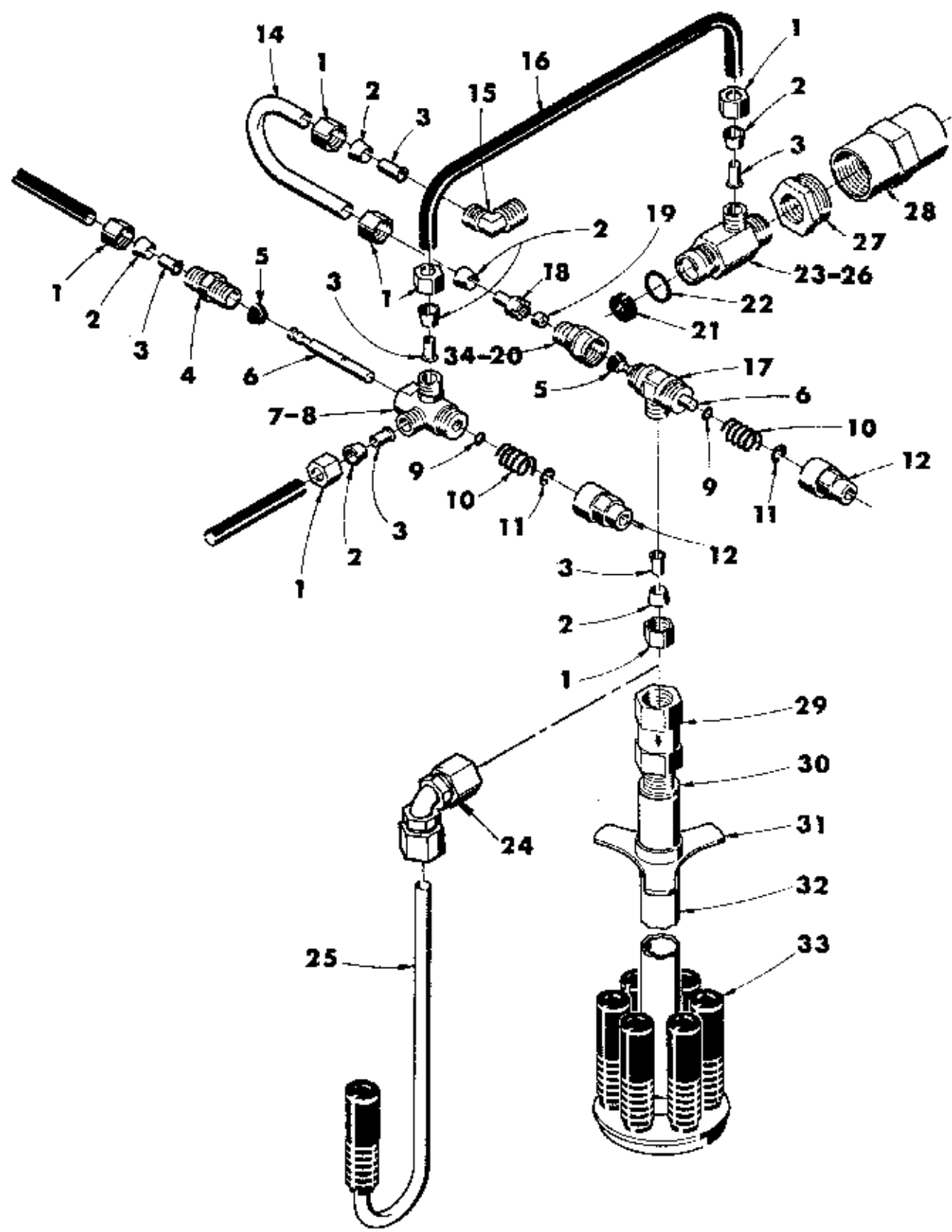


**CONTROL VALVE DRIVE  
PARTS LIST  
Dwg. No. A-13610**

Item No.	Req'd.	Part No.	Description
1	1	B-11838	Power Cord
2	1	A-10267	Strain Relief
3	6	A-10300	Timer and Box Screw
4	1	A-11690-7	Timer - 7 Day
	1	A-11690-12	Timer - 12 Day
5	1	A-11752	Motor Lead Wire - Pigtail
6	7	A-10872	Motor Mount Screw
7	2	A-10340	Switch Mount Lockwasher
8	2	A-10339	Switch Mount Nut
9	2	A-10218	Micro-Switch
10	3	A-10302	Insulator
11	2	A-10231	Drive Mount Screw
12	1	A-10292	Connecting Rod Pin
*13	1	A-12245	Drive Screw
14	1	A-11540	Timer Stand Off
*15	1	A-10621	Connecting Rod
*16	1	A-13366	Drive Bearing
*17	1	B-12576	Drive Cam — S.T.F.
18	2	A-10338	Drive Roll Pin
*19	1	A-10299	Drive Nut
20	2	A-10220	Micro-Switch Screw
21	1	B-10774	Motor Bracket
22	1	B-10769	Motor
23	1	B-10775	Motor Bracket — (Brine Valve Side)
24	1	B-12472	Cam-Service Actuator and Brine
25	1	A-12133	Timer Knob
26	1	A-12115	Motor Bracket Bearing
27	1	A-12114	Motor Bracket — (Outboard)
28	1	C-11828	Back Plate
29	1	B-11667	Wire Harness

\*These parts furnished assembled together

**BRINE VALVE AND SERVICE VALVE OPERATOR ASSEMBLY**  
**(Brine Valve & Diaphragm Valve Actuator Assembly)**



**BRINE VALVE AND SERVICE VALVE OPERATOR ASSEMBLY**  
**PARTS LIST**  
**Dwg. No. A-13609**

Item No.	Req'd.	Part No.	Description
1	7	A-10329	Fitting Nut
2	7	A-10330	Delrin Sleeve
3	6	A-10332	Insert Sleeve
4	1	A-10331	Straight Fitting
5	2	A-10271	Brine Valve Seat
6	2	B-12552	Brine Valve Stem
7	1	A-10785	Service Actuator Body
8	1	A-12629	Service Actuator Label
9	2	A-12550	Quad Ring
10	2	A-10249	Brine Valve Spring
11	2	A-10250	Retaining Ring
12	2	A-11749	Brine Valve Nut
13	1	A-13574	3/8 O.D. Flexible Tube — (Inlet to S.V.O.)
14	1	A-12774	Brine Valve Tube
15	1	A-10328	90° Elbow — 1/4 Pipe Thd. to 3/8 Tube Nut
16	1	A-12898	3/8 O.D. Flexible Tube — (S.V.O. to Drain)
17	1	B-12748	Brine Valve Body
For No. 3 injector, use the following parts:			
*18	1	A-12098	Flow Control Retainer
*19	1		Brine Line Flow Control — (Specify Flow Rate in G.P.M.)
*20	1	B-12747	Flow Control Fitting
**21	1		Drain Line Flow Control Washer (Specify Flow Rate 1.2 to 7.0 G.P.M.)
**22	1	A-11183	"O" Ring
**23	1	B-12619	Flow Control Retainer
24	1	A-12794	90° Elbow — 3/8 Tube to 3/8 Tube
25	1		No. 500 Air Check Assembly
For No. 4 injector, use the following parts:			
22	1	A-11183	"O" Ring
26	1	B-12899	Flow Control Retainer — (For 8 to 15 G.P.M.)
27	1	A-12346	Reducing Bushing — 3/4 Male Pipe Thd. to 1/2 Female Pipe Thd.
	1	A-12437	Reducing Bushing — 1" Male Pipe Thd. to 1/2 Female Pipe Thd.
28	1		Dole Flow Control — (For 8 to 10 G.P.M.) — 3/4 Pipe Thd. Dole Flow Control — (For 12 to 15 G.P.M.) — 1" Pipe Thd.
29	1		Brine Line Flow Control — (Specify Flow Rate 1 or 2 G.P.M.)
30	1	A-11936	Air Check Adapter
31	1	A-11763	Stand Off
32	1	A-12165	Distributor Tube — 3/4 Sch. A P.V.C. Pipe
33	1	C-11759	Air Check Assembly
34	1	B-12775	Shut Off Valve End Fitting

\*These parts furnished assembled together as a Brine Line Flow Control (BLFC) with flow rate label.

\*\*These parts furnished assembled together as a Drain Line Flow Control (DLFC) with flow rate marked.