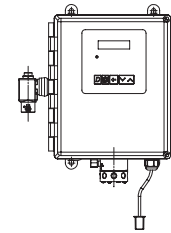




# Pentair Water

## 48ES and 51ES NXT Stager Controller

### Service Manual



### TABLE OF CONTENTS

NXT STAGER DIMENSIONS .....	2
SYSTEM SPECIFICATIONS 48ES AND 51ES SERIES .....	2
SYSTEM DEFINITIONS .....	3
SYSTEM OPERATION IN SERVICE (SYSTEM 14-DEMAND).....	4
TIMER DISPLAY FEATURES.....	5
NETWORK/COMMUNICATION CABLES & CONNECTIONS .....	5
TIMER OPERATION .....	6
MASTER PROGRAMMING MODE FLOW CHART .....	7
USER PROGRAMMING MODE FLOW CHART .....	9
DIAGNOSTIC PROGRAMMING MODE FLOW CHART.....	9
PLUMBING DIAGRAMS.....	12
SOLENOID USE.....	13
STAGER CONTROLLER, 48ES, NEMA 4 24V/50-60Hz ASSEMBLY.....	14
STAGER CONTROLLER, 51ES, NEMA 4 24V/50-60Hz ASSEMBLY.....	15
WIRING DIAGRAM 48/51ES STAGER CONTROLLER .....	16
TROUBLESHOOTING .....	17
SERVICE ASSEMBLIES .....	18



### IMPORTANT PLEASE READ:

- The information, specifications and illustrations in this manual are based on the latest information available at the time of printing. The manufacturer reserves the right to make changes at any time without notice.
- This manual is intended as a guide for service of the controller only. System installation requires information from a number of suppliers not known at the time of control manufacture. This product should be installed by a plumbing professional.
- This product must be installed in compliance with all state and municipal plumbing and electrical codes. Permits may be required at the time of installation.
- If daytime operating pressure exceeds 80 psi, nighttime pressures may exceed pressure limits. A pressure reducing valve must be installed if pressure exceeds 125 psi.
- Do not install the unit where temperatures may drop below 32°F (0°C) or above 110°F (43°C).
- Do not place the unit in direct sunlight. Black units will absorb radiant heat increasing internal temperatures.
- Do not strike the controller or any of the components.
- Warranty of this product extends to manufacturing defects. Misapplication of this product may result in failure to properly condition water, or damage to product.
- A prefilter should be used on installations in which free solids are present.
- Correct and constant voltage must be supplied to the controller to maintain proper function.

# NXT STAGER DIMENSIONS

# SYSTEM SPECIFICATIONS 48ES AND 51ES SERIES

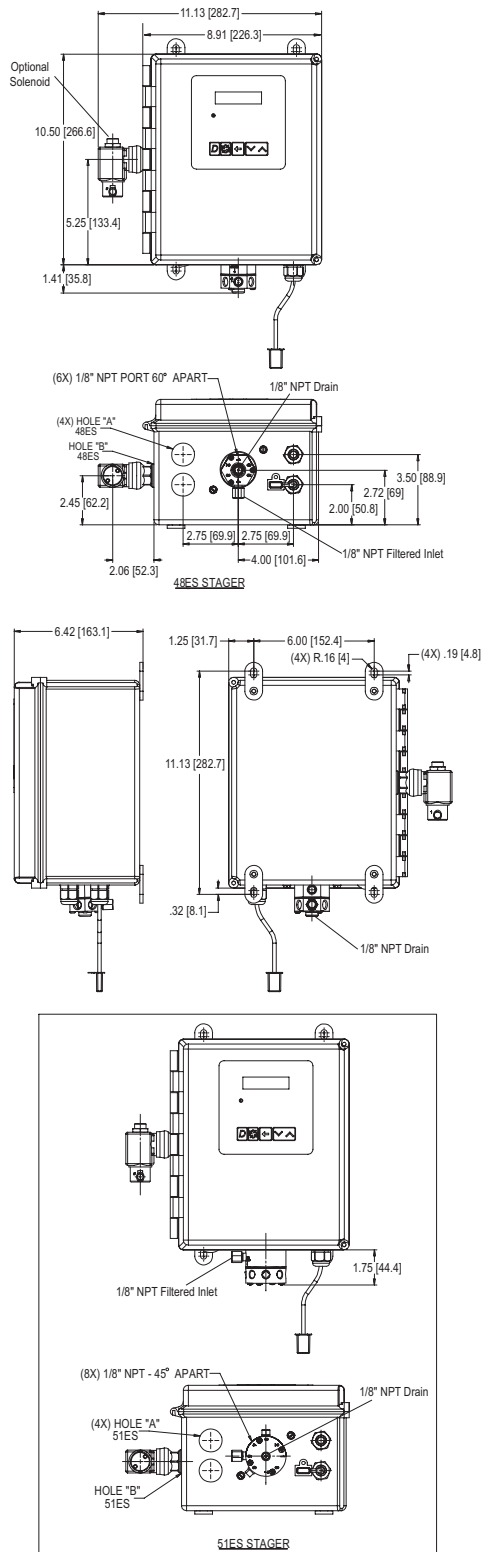


Figure 1

## Generic Meter Guidelines

- Open collector output
- Pulse rate generated must not exceed 100 pulses per second (100 Hz), or 6,000 pulses per minute
- Support for meter outputs in the range of 1-255 gallons (25.5 m<sup>3</sup>) for every 1-255 pulses  
Example: 35 gallons/100 pulses  
(=3.5 gallons/10 pulses, = 0.35 gallons/1 pulse)
- Meter must operate at 5 VDC

## Electrical Rating

- 24 VAC Transformers  
115 VAC ±20% input, 24 VAC output w/40 VA (maintain input voltage in this range)
- 230 VAC ±20% input, 24 VAC output w/108 VA (maintain input voltage in this range)

## Humidity

- 95% RH, non-condensing

## Temperature

- Maximum control fluid temperature 140°F (60°C)
- Operate where ambient temperatures are above 32°F and below 110°F

## Pressure

- Maximum control fluid pressure 125 psi (8.5 bar)
- Control fluid can be either water or air and must be equal to or greater than system pressure.

## SYSTEM DEFINITIONS

System Number	System Description	# of Tanks/ Controls	Connect meter and/or remote regeneration input to...	Type	Operation Discussion
4	Single Unit	1	Time Clock: No Meter Immediate: One Meter Delayed: One Meter Remote Signal Start: No Meter	Stager (no solenoid required)	Single tank configuration. During Regeneration no water available to service unless optional bypass valve #2A installed.
5	Interlocked	2, 3, or 4	Immediate: All Meters Remote Signal Start: No Meter	Stager (no solenoid required)	All tanks in parallel supplying treated water. Each unit in the system will have its own flow meter/sensor input. The control will delay the start of Regeneration if another unit is already in Regeneration. Once that unit has completed a Regeneration cycle, and has returned to Service, the unit with longest regeneration queue time will begin Regeneration. No more than one unit will be in Regeneration at a time.
6	Series Regeneration	2, 3, or 4	Immediate: One Meter Delayed: One Meter Remote Signal Start: No Meter	Stager (no solenoid required)	All tanks in parallel supplying treated water. Only #1 control will monitor flow meter/ sensor input. When a regeneration is required for the system, it will regenerate valve address #1 first, immediately followed by #2, then #3, then #4 if installed. No more than one unit will be in Regeneration at a time.
7	Twin Alternating	2	Immediate: One Meter Remote Signal Start: No Meter	Solenoid (plug stager port 2)	One tank online supplying treated water, one tank in Standby. Only #1 control will monitor its flow meter/sensor input. Regeneration of a unit will begin after the other control has left Standby and returned to Service. When the Regeneration cycle is complete, the regenerated unit will enter Standby. Standby on each tank is controlled by a solenoid connected to the service outlet valve of that tank.
9	Multiple Tank Alternating	2, 3, or 4	Immediate: All Meters Remote Signal Start: No Meter	Solenoid (plug stager port 2)	One, two, or three tanks online supplying treated water, one tank in Standby. Meter/ sensor input is required on each tank. Regeneration of a unit will begin after the other control has left Standby and returned to Service. When the Regeneration cycle is complete, the regenerated unit will enter Standby. Standby on each tank is controlled by a solenoid connected to the service outlet valve of that tank.
14	Demand Recall	2, 3, or 4	Immediate: All Meters	Solenoid (plug stager port 2)	Meter input is required on each tank. Unit #1 will begin In Service with #2, #3, and #4 (if installed) will begin in Standby. At least one unit is In Service at all times. When flow rate to the Primary Service Unit increases to a user specified rate, the next unit in sequence will move from Standby to Service. As the flow rate falls below the user specified rate subsequent tanks will return to Standby. When the Primary Service Unit regenerates, the next unit in sequence will become the new Primary Service Unit. As each units capacity is reached the controller will initiate a Regeneration of that unit. Depending on the number of units in the system, and flow rate demand the regenerated unit will then be placed either into Standby or Service. Only one unit will be in Regeneration at a time.

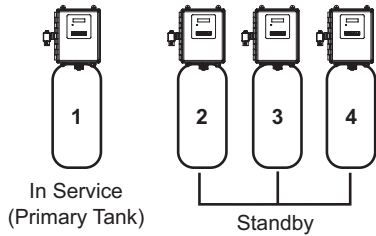
# SYSTEM OPERATION IN SERVICE (SYSTEM 14-DEMAND)

The system operates as part of a multi-tank regeneration system. This example applies to either a 2, 3 or 4 tank system. Each tank in the system will have an active flow meter input, even in Standby.

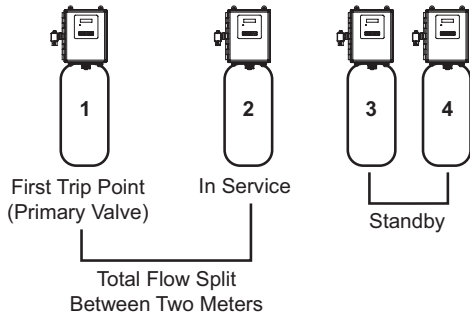
The number of tanks In Service depends on the flow rate.

### Examples of a Four-Unit System:

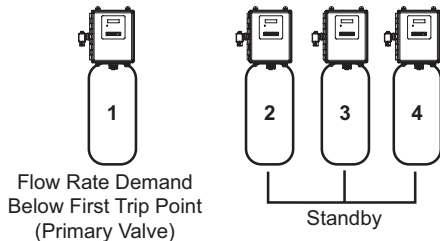
1. One Tank is In Service at all times (the "primary tank").



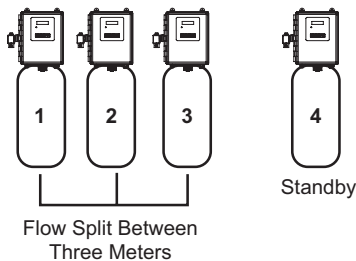
2. The total flow rate to the primary tank increased past the first trip point programmed rate. The flow stayed past the trip point delayed time. The next tank (least volume remaining) changes from Standby to In Service. This then splits the total flow between two meters.



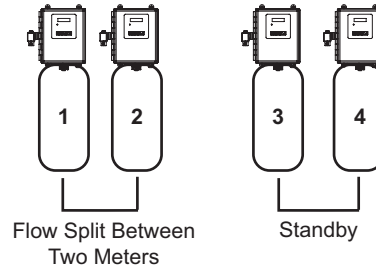
3. The flow rate demand decreased below the first trip point. The tank returns to Standby.



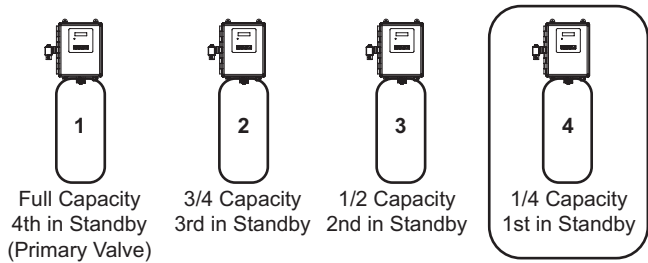
4. Total flow rate demand increased past a second trip point programmed rate. The second and third tank (least volume remaining) changes from Standby to In Service. The total flow is split between the three meters.



5. The third tank returns to Standby as demand decreases past the second trip point.

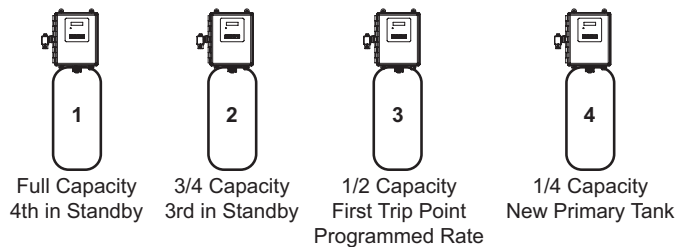


6. Tanks return to Standby due to decreased total flow rate and trip points programmed. The tank with the most remaining volume will be the first to go into Standby.



7. The primary tank regenerates. The next tank with the least remaining volume becomes the new primary tank. The tank with the next least volume remaining will be the first trip point programmed rate. Tanks continue operating in this order.

### System Operation in Regeneration:



If two tanks are In Service and both reach Volume Remaining = 0, the other two tanks will shift from Standby to In Service. The lead tank with Volume Remaining = 0 will start Regeneration. The second tank with Volume Remaining = 0 will enter Standby. If flow increases past the trip point a third tank needs to enter In Service. The tank in Standby with Volume Remaining = 0 will shift into In Service to maintain a steady flow. Operating for extended periods in this mode may degrade the water quality.

## TIMER DISPLAY FEATURES

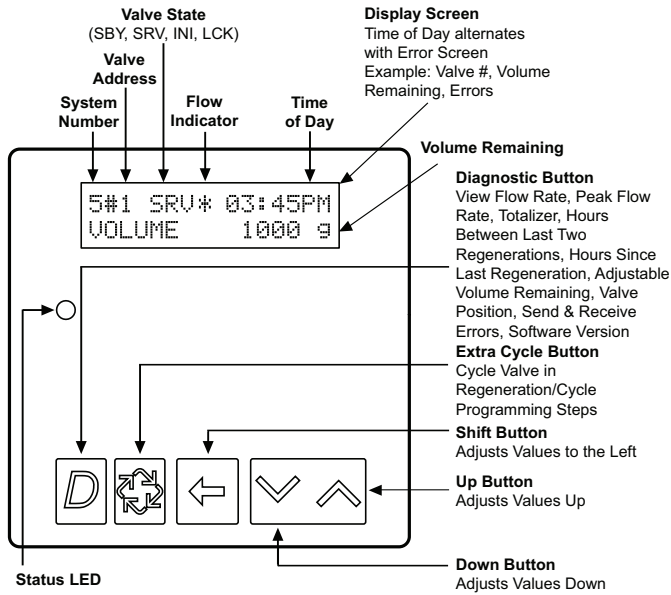


Figure 1

### Valve State

**INI (Initializing)** - INI will display on the screen for 30 to 45 seconds when initializing after a power failure reset or programming.

**RGQ (Regeneration Queued)** -RGQ indicates that the reserve has been entered in a delayed system and regeneration has been queued. When in the main screen, press the Extra Cycle button to toggle service (SRV) with RGQ.

**Service (SRV)** - SRV will display when the unit is In Service.

**LCK (Lock)** - Lock will be displayed when contact closure is applied across the interlock terminals on the circuit board. See the “Network/Communication Cables & Connections” section of this manual.

### LED Status Lights

**Blue LED** - Illuminates while the unit is In Service and no errors exist. The unit will always be In Service unless a regeneration trigger has occurred (green LED light will be displayed). A blinking blue light indicates the timer is In Service, and queued for regeneration.

**Green LED** - Illuminates when the unit is in Regeneration mode. A blinking green light indicates the timer is in Standby, and not in Regeneration.

**Red LED**- Illuminates when there is an error.

### Flow Indicator

A rotating line (appearing as a rotating star shape) will display on the screen when flow is going through the meter.

## NETWORK/COMMUNICATION CABLES & CONNECTIONS

Use a CAT5 Network/Communication cable.

Connect the network/communication cable to either port before programming.

The maximum cable length between timers is 100 feet.

Connect units together from one communication port to the next communication port. The order is not important.

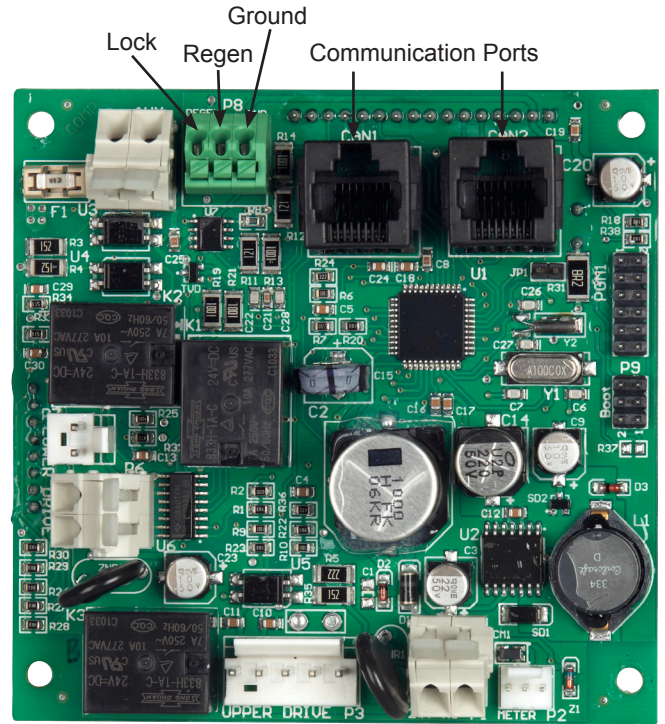


Figure 2 Current NXT Circuit Board

## TIMER OPERATION

### Set Time of Day

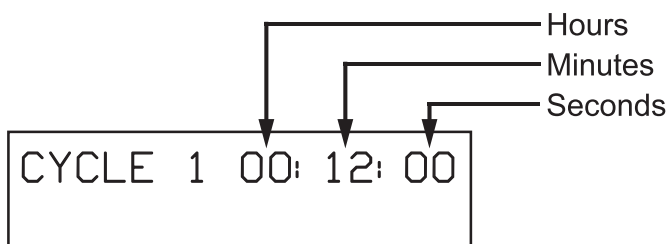
Hold the Up or Down button to change time. While in time change mode press Shift to adjust next digit over. On multiple tank systems change time on #1 control only. All other controls in system will mirror the time on control #1.

### Manually Initiating a Regeneration

1. When timer is In Service or Stand By, press the Extra Cycle button on the main screen for five (5) seconds to force a manual regeneration if another unit is not in Regeneration.
2. The timer reaches Regeneration cycle Step #1.
3. Press the Extra Cycle button once to advance valve to the next Regeneration cycle.

### Timer Operation During Regeneration

In the Regeneration cycle step display, the timer shows the current Regeneration cycle number the valve is in, or has reached, and the time remaining in that step. Once all regeneration steps are complete the timer returns to In Service and resumes normal operation.



**Example:** 12 minutes remaining in Cycle 1



Press the Extra Cycle button during a Regeneration Cycle to immediately advance the valve to the next cycle and resume normal timing.

### Flow Meter Equipped Timer

During normal operation the Time of Day screen alternates with the Error screen (if errors are present).

As treated water is used, the Volume Remaining display counts down from the calculated system capacity to zero. When zero is reached a Regeneration cycle begins if no other units are in regeneration.

### Timer Operation During Programming

The timer enters the Program Mode in Standby or Service Mode as long as it is not in regeneration. While in the Program Mode the timer continues to operate normally monitoring water usage. Timer programming is stored in memory permanently.

### Timer Operation During A Power Failure

During a power failure all timer displays and programming are stored for use upon power re-application. The timer retains all values, without loss. The timer is fully inoperative and any calls for regeneration are delayed. The timer, upon power re-application, resumes normal operation from the point that it was interrupted.

**NOTE: A flashing Time of Day display indicates a power outage. Hold the Up or Down button to reset time.**

### Remote Lockout

The timer does not allow the unit/system to go into Regeneration until the regeneration lockout input signal to the unit is cleared. This requires a contact closure to activate the lockout. The recommended gauge wire is 20 with a maximum length of 500 feet.

### Regeneration Day Override Feature

If the Day Override option is turned on and the actual number of days since last regeneration exceeds the set regeneration day override value, the Regeneration cycle starts. If other units are in regeneration, it is added to a regeneration queue. This occurs regardless of the remaining volume available.

**⚠ WARNING:** This unit is not designed to drive/power external devices. Transformer must be grounded. Ground wire must be terminated to the back plate where grounding label is located.

### Auxiliary Relay Output

The Auxiliary Relay Output on the circuit board can be programmed to be closed during a window of time within the regeneration sequence. The Aux Relay Output Start time sets the turn-on time referenced to the start of regeneration. The Aux Relay Output End time sets the turn-off time referenced to the start of regeneration. The Auxiliary Relay Output shares the same relay as the Chemical Pump Output. See wiring diagram for connection information.

### Chemical Pump Output

When the Chemical Pump Output feature is enabled, the control will calculate volume of water used and close the relay when the set CPO Aux Relay Volume is reached. Once activated, the relay will stay closed for the amount of time set in CPO Aux Relay Time. The Chemical Pump Output only functions while in service, and the CPO volume is reset to zero each regeneration. The Chemical Pump Output shares the same relay as the Auxiliary Relay Output. See wiring diagram for connection information.

# MASTER PROGRAMMING MODE FLOW CHART

**CAUTION** Before entering Master Programming, please contact your local professional water dealer.

When the Master Programming Mode is entered, parameters can be set to make the timer(s) function as needed.

**NOTE:** Depending on current option settings, some displays cannot be viewed or set.

## Entering Master Programming Mode

1. Press and hold the Shift and Up buttons for 5 seconds.  
OR
2. Set the time of day display to 12:01 PM or 12:01HR. Press and hold Up or Down buttons to set the time. Then press the Up and Down buttons at the same time for 5 seconds.

## Exiting Master Programming Mode

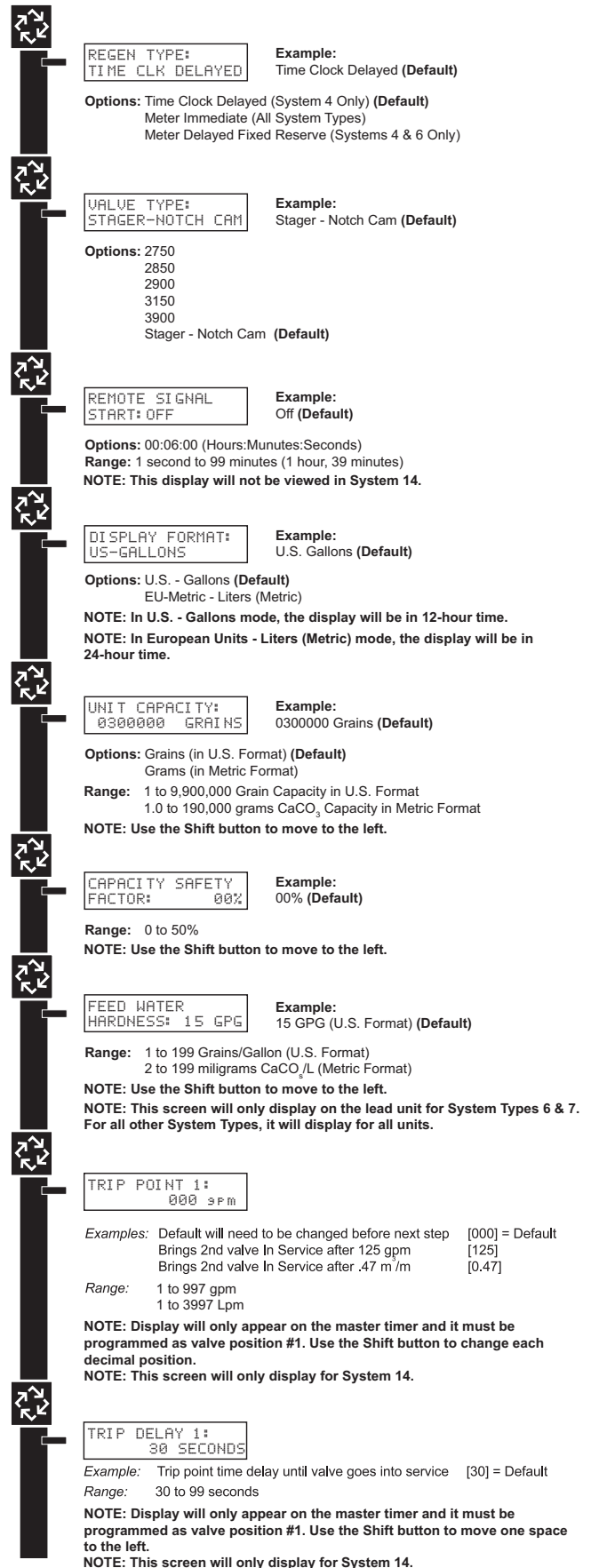
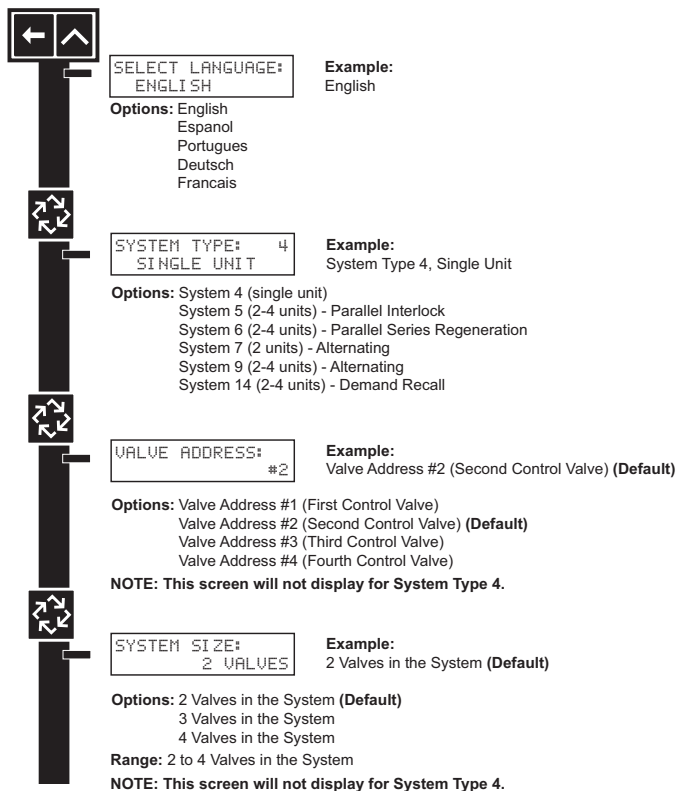
1. Press the Extra Cycle button once per display until all are viewed. Master Programming Mode is exited and the normal display screen appears.
2. To exit the Master Programming Mode without saving changes, press the Diagnostic button.

**NOTE:** If no keypad activity is made for 5 minutes while in the Master Programming Mode, or if there is a power failure, no changes will be saved, and the unit will go back to the main display screen.

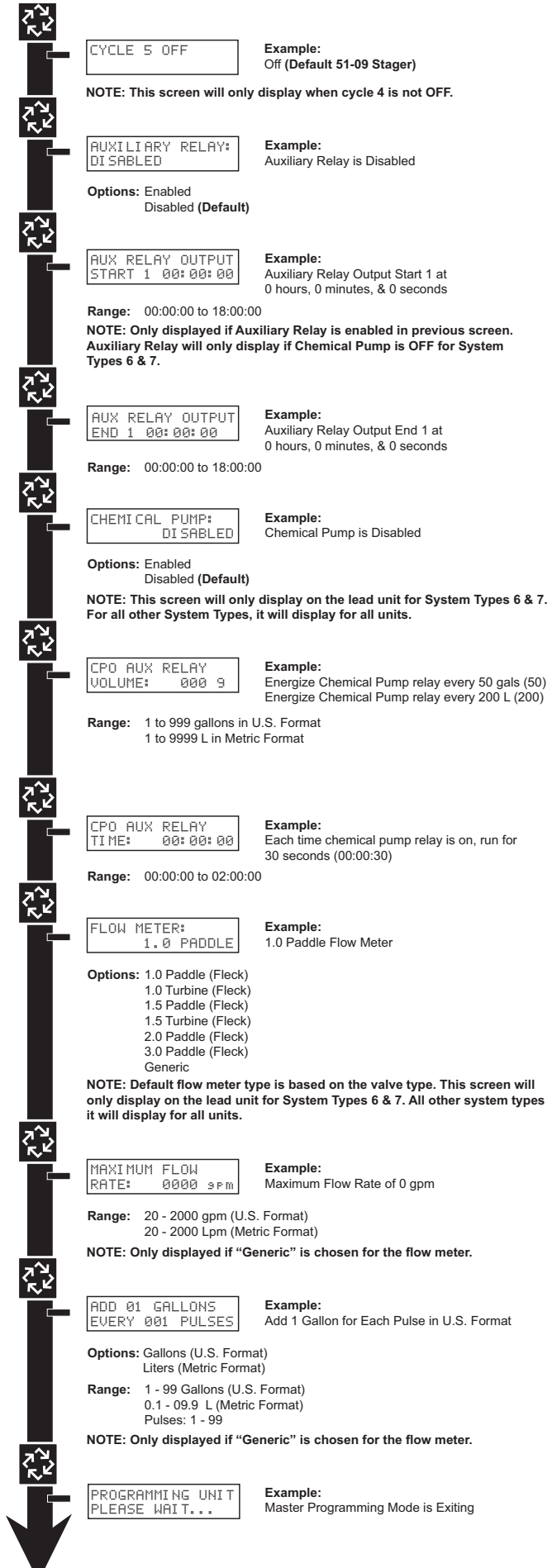
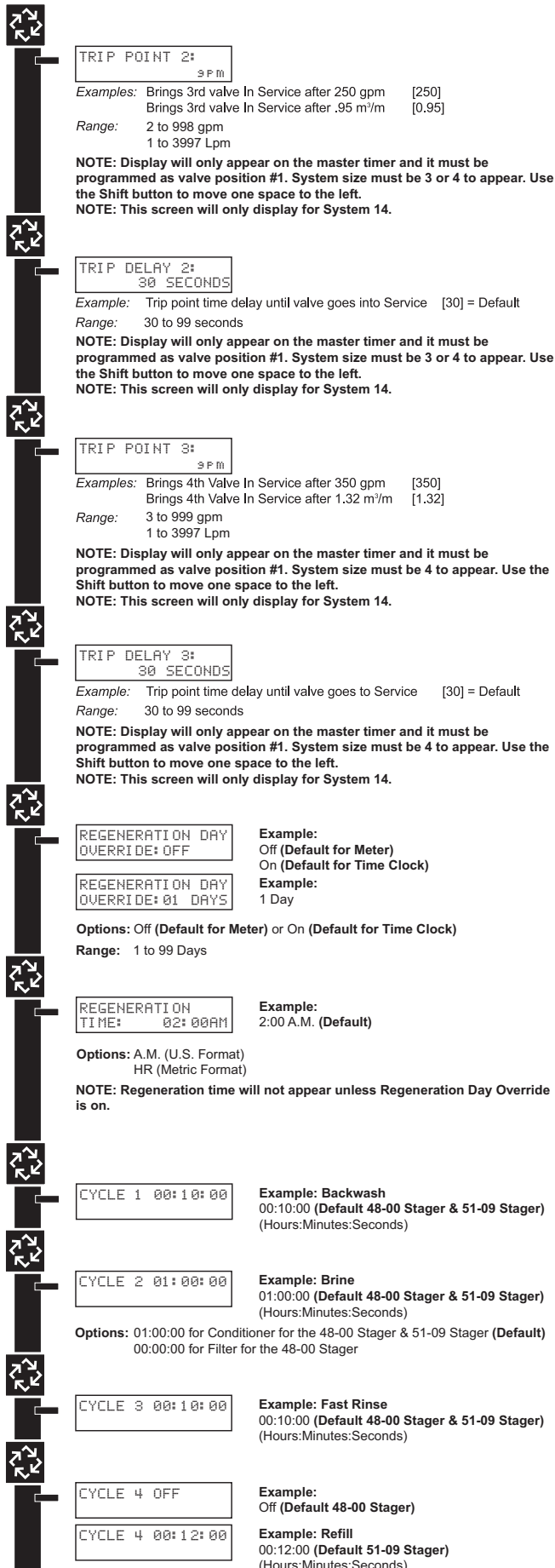
## Resets

**Soft Reset:** Press and hold the Up and Down buttons for 25 seconds until 12:00PM (or 12:00HR) appears. This resets all parameters except for the flow meter totalizer volume.

**Master Reset:** Hold the Extra Cycle button while powering up the unit. This resets all of the parameters in the unit. Check and verify the choices selected in Master Programming Mode.



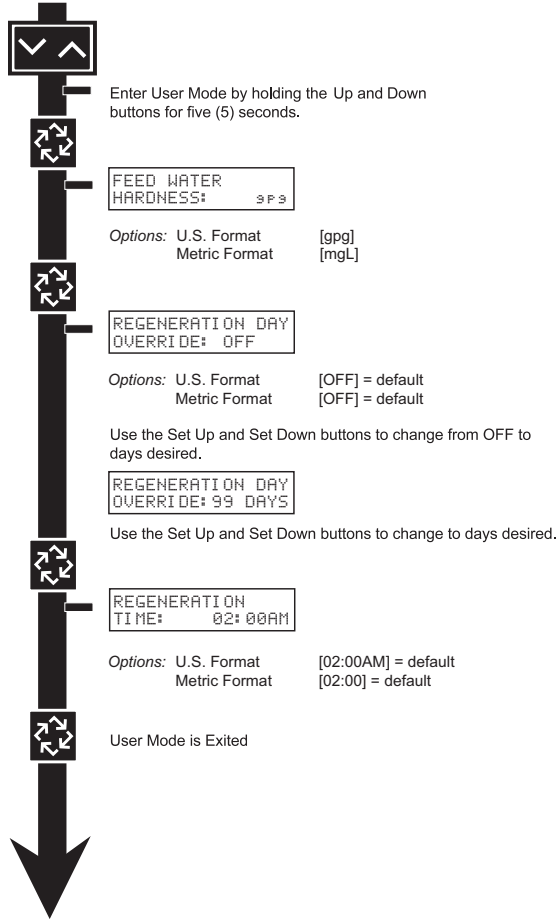
# MASTER PROGRAMMING MODE FLOW CHART *continued*



# USER PROGRAMMING MODE FLOW CHART

## Entering User Programming Mode

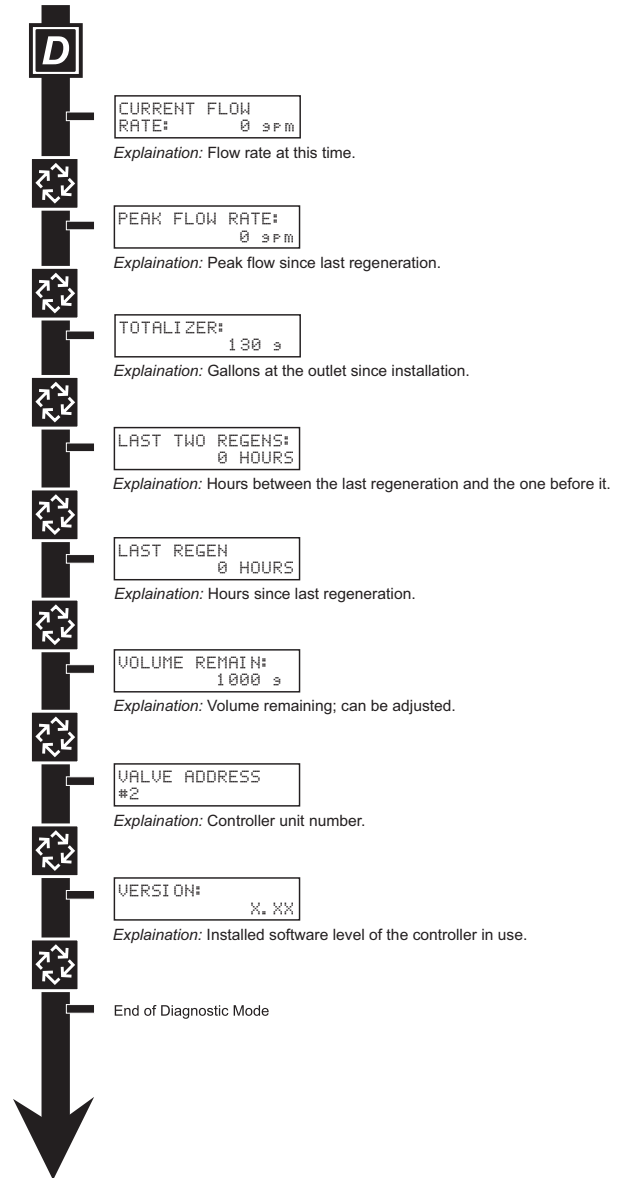
Hold the Up and Down buttons for 5 seconds.



# DIAGNOSTIC PROGRAMMING MODE FLOW CHART

## Entering Diagnostic Programming Mode

1. Push and release the "D" button.
2. Press the Extra Cycle button once per display until all displays are viewed and Normal Display is resumed.
3. Push and release the "D" button at anytime during diagnostic mode and the timer will exit the mode.
4. Depending on the current controller programming, certain displays may not be able to be viewed or set.



# NXT Multi Language Programming Parameters and Ranges

System Type	4 Time Clock				4 Metered Immediate				4 Metered Delayed				5 Interlock				6 Series				7 Alternating				9 Alternating				14 Demand Recall				Programming Parameter Ranges			
	1	2	3	4	1	2	3	4	1	2	3	4	1	2	3	4	1	2	3	4	1	2	3	4	1	2	3	4	1	2	3	4	Gallons	Liters		
Valve Address																																				
Select Language	x				x				x				x				x				x				x				English, Espanol, Portugues, Deutsch, Francais	1 thru 4						
System Size																																				
Regen Type	x				x				x				x				x				x				x				Time Clock, Metered Delayed, Metered Immediate	1 thru 4						
Valve Type	x				x				x				x				x				x				x				2750, 2850, 2900, 3150, 3900, Stager							
Regenerant Flow	x				x				x				x				x				x				x				Downflow, Uplflow, Uplflow Fill First							
Remote Signal Start	x				x				x				x				x				x				x				Off, 00:00:01 - 01:39:00							
Display Format	x				x				x				x				x				x				x				US - Gallons	EU - Metric-Liters						
Unit Capacity					x				x				x				x				x				x				1 - 9900000 Grains	1 - 198000 gCaCO3						
Capacity Safety Factor					x				x				x				x				x				x				0- 50%							
Feed Water Hardness					x				x				x				x				x				x				1 - 199 Grains/Gallons	1 - 1999 mg/L						
Trip Point 1																													0 - 997 gpm	0 - 3997 Lpm						
Trip Delay 1																													30 - 99 Seconds	30 - 99 Seconds						
Trip Point 2																													Trip Point 1 + 1 - 998 gpm	Trip Point 1 + 1 - 3998 Lpm						
Trip Delay 2																													30 - 99 Seconds	30 - 99 Seconds						
Trip Point 3																													Trip Point 2 + 1 - 999 gpm	Trip Point 2 + 1 - 3999 Lpm						
Trip Delay 3																													30 - 99 Seconds	30 - 99 Seconds						
Regeneration Day Override	x																												Off, 1 - 99							
Regeneration Time	x																												12:00 a.m. - 11:59 p.m.	00:00 - 23:59 Hour						
Cycle 1	x																												00:00:00 - 04:00:00							
Cycle 2	x																												Off, 00:00:00 - 04:00:00							
Cycle 3	x																												Off, 00:00:00 - 04:00:00							
Cycle 4	x																												Off, 00:00:00 - 04:00:00							
Cycle 5	x																												Off, 00:00:00 - 04:00:00							
Auxiliary Relay	x																												Enabled, Disabled							
Aux Relay Output Start																													00:00:01 to Total Regeneration Time - 1							
Aux Relay Output End																													Start Time + 1 to Total Regeneration Time							
Chemical Pump																													Enabled, Disabled							
CPO Aux Relay Volume																													1 - 999 gallons	0001 - 9999 Liters						
CPO Aux Relay Time																													00:00:01 - 02:00:00	00:00:01 - 02:00:00						
Flow Meter																													1" 1.5" Paddle or Turbine, 2" Paddle, 3" Paddle, Generic							
Generic																																				
Maximum Flow Rate																													20 - 2000 GPM	20 - 2000 LPM						
Add ___ Gallons or Liters																													1 - 255 Gallons	001 - 255 Liters						
Every ___ Pulses																													1 - 255	1 - 255						

**Notes**

- O** - Regeneration Time will only be viewed if Regeneration Day Override is used.
- U** - If Auxiliary Relay is Enabled then Chemical Pump Relay will not be viewed or if Chemical Pump Relay is Enabled then Auxiliary Relay will not be viewed.
- C** - All Relay Output parameters programming will be viewed if Enabled.
- A** - If Generic Flow Meter is chosen, then programming parameters will be viewed.

## Stager Operation

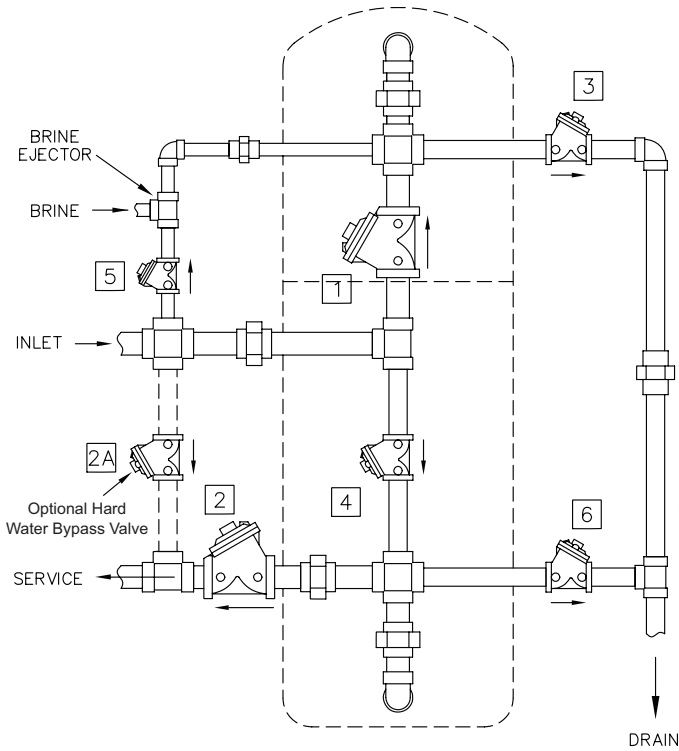
Stagers are motor driven, rotary multi-port valves used to control a set of valves in a predefined sequence. They function by internally connecting inlet pressure to a defined set of control ports and allowing other control ports be vented through a drain. Control ports are used to open and close valves in a preset sequence. As the stager advances to various positions, different valves are open and closed in a system. The control port pressure and vent sequence is preset at the factory and cannot be field altered.

## Stager Installation

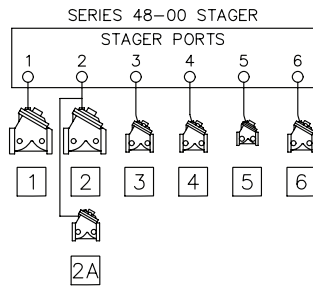
1. Connect a constant pressure water or air source used to the 1/8" NPT stager inlet. Control fluid pressure must be equal to or greater than system pressure. To ensure long trouble free operation, a 100 micron filter in the control pressure line is recommended.
2. Stager drain port should be left open or discharged to unrestricted or open drain. DO NOT plug or restrict drain port.
3. Connect the 1/8" NPT control ports to appropriate valves. Refer to tubing schematic provided in the Plumbing Diagrams section of this manual. Tubing inside diameter should be 1/8" or larger.

# PLUMBING DIAGRAMS

## 4 Position Softener (48-00 Stager)



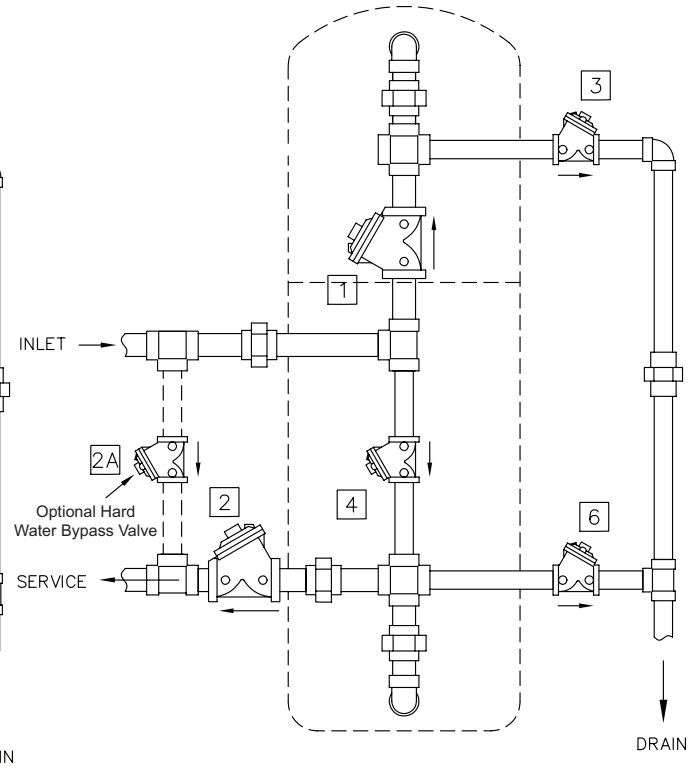
**4 POSITION SOFTENER**



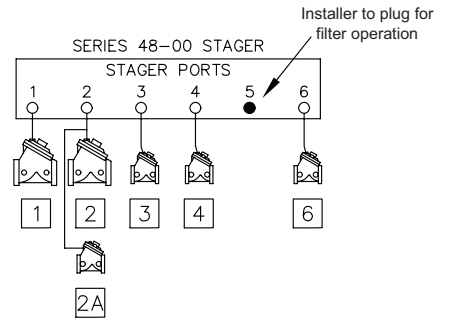
NOTCH	POS.	FUNCTION	PORTS VENTED (NOTE 1)	VALVES OPEN
A	4	SERVICE	1,2	1,2
B				
C	1	BACKWASH	3,4	3,4,2A
D				
E	2	BRINE	5,6	5,6,2A
F	3	RINSE	1,6	1,6,2A

Note: All valves normally open except optional valve 2A.

## 4 Position Filter (48-00 Stager)



**4 POSITION FILTER**



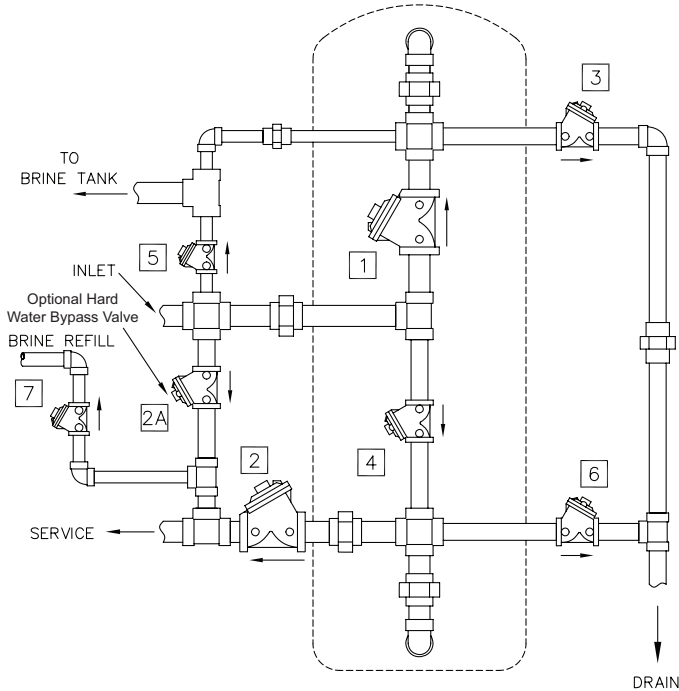
NOTCH	POS.	FUNCTION	PORTS VENTED (NOTE 1)	VALVES OPEN
A	4	SERVICE	1,2	1,2
B				
C	1	BACKWASH	3,4	3,4,2A
D				
E	2	BRINE	5,6	5,6,2A
F	3	RINSE	1,6	1,6,2A

Note: Program Cycle 2 time to 00:00:00 for filter operation.

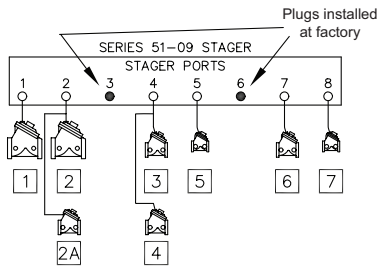
Note: All valves normally open except optional valve 2A.

# PLUMBING DIAGRAMS *continued*

## 5 Position Softener w/Timed Brine Refill (51-09 Stager)



5 POSITION SOFTENER W/ TIMED BRINE REFILL

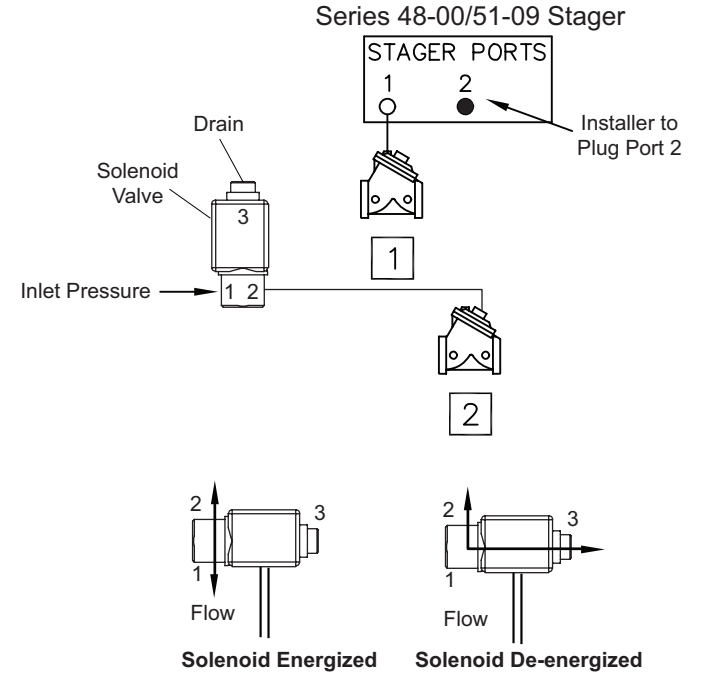


NOTCH	POS.	FUNCTION	PORTS VENTED (NOTE 1)	VALVES OPEN
A	0	SERVICE	1,2	1,2
B				
C				
D	1	BACKWASH	4	3,4,2A
E	2	BRINE/SLOW RINSE	5,7	5,6,2A
F				
G	3	FAST RINSE	1,7	1,6,2A
H	4	BRINE REFILL	1,2,8	1,2,7

Note: All valves normally open except optional valve 2A.

# SOLENOID USE

## Solenoids only required for Systems 7, 9 and 14



### Energized To Close

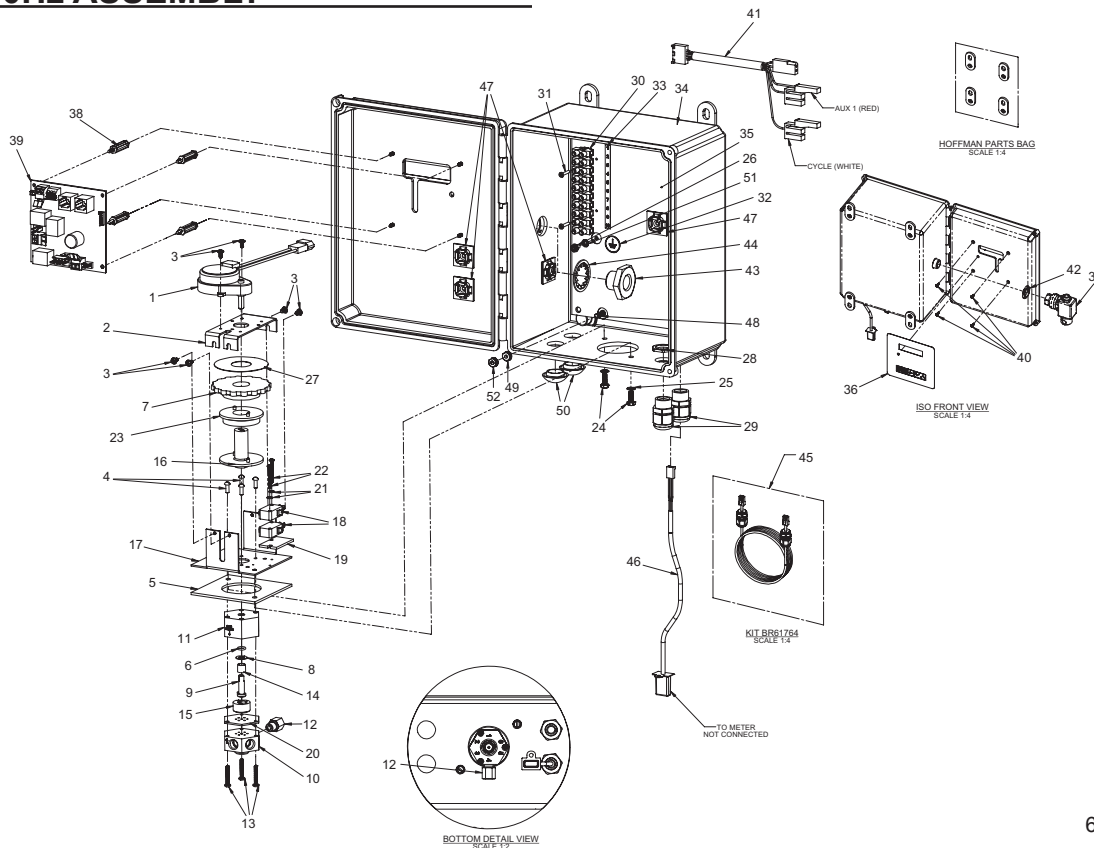
The NXT Stager control can operate an optional 24 VAC solenoid to control when a tank is off line. This solenoid is electrically connected to the "lower drive" connection on the circuit board, and control pressure is run through the solenoid to the service outlet diaphragm valve.

The solenoid installed at the factory is a universal type. It is plumbed in an energize to close configuration.

When a tank enters Regeneration or Standby the solenoid is energized. Pressure from solenoid port 1 passes to port 2. The diaphragm valve #2 will close.

When a tank enters In Service the solenoid is de-energized. The inlet pressure to solenoid port 2 is stopped. The diaphragm valve is vented through solenoid port 2 to port 3 (drain). The valve #2 opens.

# STAGER CONTROLLER, 48ES, NEMA 4 24V/50-60Hz ASSEMBLY



61803 Rev D

Item No.	QTY	Part No.	Description
1	1	43001	Motor, 24V, 50/60Hz, 5/8 RPM
2	1	1070436	Plate, Motor MTG, Stagers
3	6	1075746	Screw, 6-32 x 1/4", Phil
4	4	1072371	Screw, 6-32 x .375, RD.HD, SS
5	1	1075737	Gasket, Stager MTG, 48
6	1	1071667	O-ring, 2-010, Nitrile
7	1	1075454*	Thumb Wheel, Molded
8	1	1074074	Washer, 302, SS
9	1	1070448	Shaft, Stem Assy, 48 Series
10	1	1074784	Backplate, 48-00, Brass
11	1	1074793	Bonnet, 48, Brass
12	1	1074825	Inlet Strainer, Assy
13	3	1075759	Screw, Pan Head, 6-32 x .88"
14	1	1076234	Spring, Wave, 17-7 SS, 48 STGR
15	1	1074845	Stemplate, 48, -00
16	1	1076245*	Cam, Cycle, Machined
17	1	1070437	Plate, Bottom MTG, Stager
18	2	1075499	Switch, Micro
19	1	1075455	Switch Spacer, Insulator
20	1	1084171	Gasket, Backplate, 48 Nitrile
21	2	1073593	Washer, Lock, Internal, #4, SS
22	2	1075757	Machine Screw, 4-40 x 1.00, SS if 2 switches
	2	1072389	Screw, 4-40 x 1-3/8" if 3 switches
23	1	1075453*	Cam, Auxiliary, Blank
24	2	3014200	Screw, Slotted HX HD, 10-32
25	2	1078992	Washer, Lock, Internal, #10, SS
26	1	14202-01	Screw, Hex Washer #8-32 x 5/16
27	1	43077-00	Label, Dial, STGR, 2 3/8 x 7/8
28	2	17967-01	Nut, Liquid Tight, HeyCo 3169
29	2	17967-02	Fitting, Liquid Tight, Black
30	1	1075538	Terminal Block, 10
31	2	1072369	Screw, Pan HD, 4-40 x 5/8, SS
32	1	1076219	Label, Ground, .75 Dia.

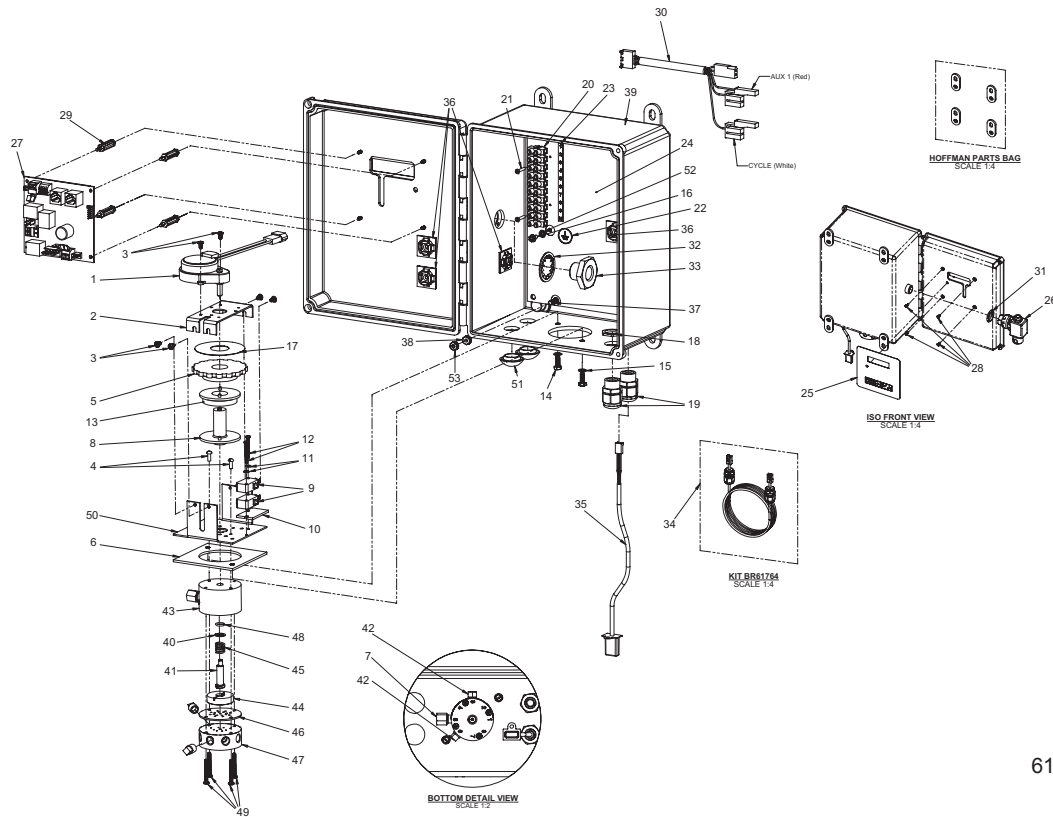
Item No.	QTY	Part No.	Description
33	1	1073732	Label, Terminal Strip, 1-10
34	1	43094-01	Enclosure, 48ES, NEMA 4
35	1	43093	Panel, A10P, 8" x 6" Modified
36	1	43046*	Keypad Label Assy, XT, NEMA 4
37	1	1070649	Solenoid, N1, 24/60
38	4	42827-04	Stand-off, Plastic, .625"
39	1	42753U*	Circuit Board, XT, ML
40	4	43092	Screw, FLT HD, #6-20, TYP-B
41	1	40941	Harness, Upper Drive
42	1	43090	Washer, Sealing, Conduit, 1/2"
43	1	43140	Fitting, NPT 1/2, Conduit
44	1	43141	Washer, Lock, 7/8, INT Tooth
45	1	61764	Cable Assy, COM, CAT 5E, NEMA 4
46	1	19121-09	Meter Cable Assy, NT, 99.5"
47	4	1081780	Mount, Cable Tie, 4-Way
48	1	1072379	Screw, 10-32 x 5/8", RND HD, SS
49	1	1071660	Nut, Hex, 10-32, KEPS
50	2	43138	Plug, .75, HeyCo
51	1	43177	Washer, Lock, #8, INT, 18-8 SS
52	1	1071648	Nut

### Not Shown

1	1	61500-48/51LNE	Line Drawing
9	1	1073701	Tie, Cable, HeyCo VNT#4-18
2	1	1073702	Wire Tie
3	1	1073955	Terminal, Ring, #10, 16-14 GA
1	1	1073875	Wire, Black, 18 AWG
1	1	1073880	Wire, White, 18 AWG
1	1	1073874	Wire, Green, 14 AWG
1	1	43163	Literature, 3214 NXT Stager,S/M
1	1	43012	Wiring Diagram, 48/51ES
1	1	61784	Service Kit, 48/51, Timer
1	1	61783	Service Kit, 48/51, Solenoid

\*Only sold as Service Assembly

# STAGER CONTROLLER, 51ES, NEMA 4 24V/50-60Hz ASSEMBLY



61804 Rev D

Item No.	QTY	Part No.	Description
1.....	1.....	43001.....	Motor, 24V, 50/60Hz, 5/8 RPM
2.....	1.....	1070436.....	Plate, Motor MTG, Stagers
3.....	6.....	1075746.....	Screw, 6-32 x 1/4", Phil
4.....	2.....	1072371.....	Screw, 6-32 x .375, RD,HD, SS
5.....	1.....	1075454*.....	Thumb Wheel, Molded
6.....	1.....	1075674.....	Gasket, Stager MTG, 51, 96
7.....	1.....	1074825.....	Inlet Strainer, Assy
8.....	1.....	1076243*.....	Cam, Cycle, Machined
9.....	2.....	1075499.....	Switch, Micro
10.....	1.....	1075455.....	Switch Spacer, Insulator
11.....	2.....	1073593.....	Washer, Lock, Internal, #4, SS
12.....	2.....	1075757.....	Machine Screw, 4-40 x 1.00, SS
13.....	1.....	1075453*.....	Cam, Auxiliary, Blank
14.....	2.....	3014200.....	Screw, Slotted HX HD, 10-32
15.....	2.....	1078992.....	Washer, Lock, Internal, #10, SS
16.....	1.....	14202-01.....	Screw, Hex Washer #8-32 x 5/16
17.....	1.....	43078-09.....	Label, Dial, STGR, 2 3/8 x 7/8
18.....	2.....	17967-01.....	Nut, Liquid Tight, HeyCo 3169
19.....	2.....	17967-02.....	Fitting, Liquid Tight, Black
20.....	1.....	1075538.....	Terminal Block, 10
21.....	2.....	1072369.....	Screw, Pan HD, 4-40 x 5/8, SS if 2 switches
.....	2.....	1072389.....	Screw, 4-40 x 1-3/8" if 3 switches
22.....	1.....	1076219.....	Label, Ground, .75 Dia.
23.....	1.....	1073732.....	Label, Terminal Strip, 1-10
24.....	1.....	43093.....	Panel, A10P, 8" x 6" Modified
25.....	1.....	43046*.....	Keypad Label Assy, ST, NEMA 4
26.....	1.....	1070649.....	Solenoid, N1, 24/60
27.....	1.....	42753J*.....	Circuit Board, XT, ML
28.....	4.....	43092.....	Screw, FLT HD, #6-20, TYP-B
29.....	4.....	42827-04.....	Stand-off, Plastic, .625"
30.....	1.....	40941.....	Harness, Upper Drive
31.....	1.....	43090.....	Washer, Sealing, Conduit, 1/2"
32.....	1.....	43141.....	Washer, Lock, 7/8, INT Tooth

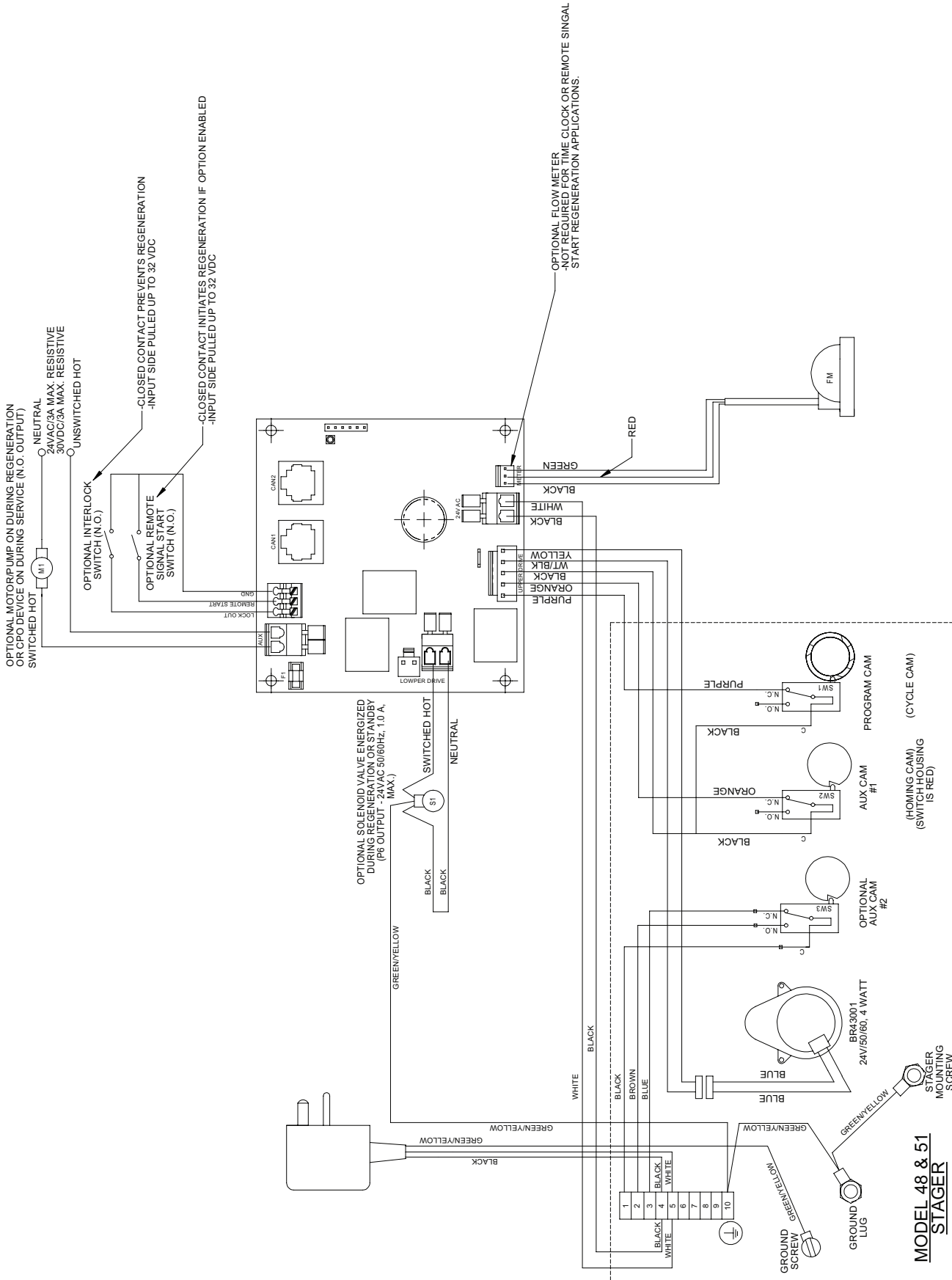
Item No.	QTY	Part No.	Description
33.....	1.....	43140.....	Fitting, NPT 1/2, Conduit
34.....	1.....	61764.....	Cable Assy, COM, CAT 5E, NEMA 4
35.....	1.....	19121-09.....	Meter Cable ASSY, NT, 99.5"
36.....	4.....	1081780.....	Mount, Cable Tie, 4-Way
37.....	1.....	1072379.....	Screw, 10-32 x 5/8", RND HD, SS
38.....	1.....	1071660.....	Nut, Hex, 10-32, KEPS
39.....	1.....	43094-02.....	Enclosure, 51ES, NEMA 4
40.....	1.....	1075241.....	Washer, 302, SS
41.....	1.....	1070438.....	Shaft, Stem Assy, 51 Series
42.....	2.....	1071903.....	Male Pipe Plugs
43.....	1.....	1074883.....	Bonnet, 51, Brass
44.....	1.....	1075647*.....	Stemplate, 96, Alpha
45.....	1.....	1075242.....	Spring, Compression
46.....	1.....	1084172.....	Gasket, Backplate, 51 & 96 STGRS
47.....	1.....	1074866*.....	Backplate, D.V. Nest
48.....	1.....	1071716.....	O-ring, EP, ORE-011
49.....	4.....	1075760.....	Screw, Machine, #6-32 x 1 1/8
50.....	1.....	1077824.....	MTG Plate, BTM, STGR, 51ES
51.....	2.....	43138.....	Plug, .75, HeyCo
52.....	1.....	43177.....	Washer, Lock, #8, INT, 18-8 SS
53.....	1.....	1071648.....	Nut

### Not Shown

.....	1.....	61500-48/51LNE..	Line Drawing
.....	9.....	1073701.....	Tie, Cable, HeyCo VNT#4-18
.....	2.....	1073702.....	Wire Tie
.....	3.....	1073955.....	Terminal, Ring, #10, 16-14 GA
.....	1.....	1073875.....	Wire, Black, 18 AWG
.....	1.....	1073880.....	Wire, White, 18 AWG
.....	1.....	1073874.....	Wire, Green, 14 AWG
.....	1.....	43163.....	Literature, 3214 NXT Stager,S/M
.....	1.....	43012.....	Wiring Diagram, 48/51ES
.....	1.....	61784.....	Service Kit, 48/51, Timer
.....	1.....	61783.....	Service Kit, 48/51, Solenoid

\*Only sold as Service Assembly

# WIRING DIAGRAM 48/51ES STAGER CONTROLLER



43012 Rev E

- NOTES:
1. SWITCHES SHOWN IN SERVICE.
  2. NEMA 4 ENCLOSURE WIRING IS SHOWN.

# TROUBLESHOOTING

## Detected Errors

If a communication error is detected, an Error Screen will alternate with the main (time of day) screen every few seconds.

- All units In Service remain in the In Service position.
- All units in Standby go to In Service.
- Any unit in Regeneration when the error occurs completes Regeneration and goes to In Service.
- No units are allowed to start a Regeneration Cycle while the error condition exists, unless they are manually forced into Regeneration.
- When an error is corrected and the error no longer displays (it may take several seconds for all of the units in a system to stop displaying the error message), the system returns to normal operation.

**NOTE: During the error condition the control continues to monitor the flow meter and update the volume remaining. Once the error condition is corrected all units return to the operating status they were in prior to the error. Regeneration queue is rebuilt according to the normal system operation. Or, if more than one unit has been queued for regeneration, then the queue is rebuilt according to which one communicates first.**

Message Displayed	Cause For Error	Correction
Flashing time	Power outage.	Program time by holding UP on Unit #1.
Detected Error = Matching Address	Two or more units programmed with the same valve address number.	Program each unit with unique valve address number in Master Programming.
Detected Error = Program Mismatch	Master program parameters do not match between two or more controls.	Confirm Master Programming for each unit.
Detected Error = No Message #1	No power to Control #1.	Power Control #1.
	Communication Cable to Valve Address #1 bad or missing.	Connect or replace Communication Cable.
Detected Error = No Message #2	No power to Control #2.	Power Control #2.
	Communication Cable to Valve Address #2 bad or missing.	Connect or replace Communication Cable.
Detected Error = No Message #3	No power to Control #3.	Power Control #3.
	Communication Cable to Valve Address #3 bad or missing.	Connect or replace Communication Cable.
Detected Error = No Message #4	No power to Control #4.	Power Control #4.
	Communication Cable to Valve Address #4 bad or missing.	Connect or replace Communication Cable.
Detected Error = E2 Reset Unit	This message appears after a software reset.	Reprogram control using Master Programming section.
Test Mode	Circuit Board was not programmed at factory.	Replace Circuit Board.
Black Squares on screen	Bad Circuit Board.	Replace Circuit Board.
INI on screen for more than 2 minutes	Circuit board not getting feedback from cycle switch.	Inspect Motor - should be rotating.
		Connect wire harness to cycle switch.
		Check Cycle Micro Switch.
CHG on screen for more than 2 minutes	Control programmed incorrectly as 2900 or 3900 valve type.	Reprogram unit as Stager Valve type.

## SERVICE ASSEMBLIES

---

### 48-00 ES Stager Assembly

61808-01	Stager Assy, 48-00, NXT 24VAC, HMG No 2nd Aux Switch
61808-02	Stager Assy, 48-00, NXT 24VAC, SA, 2nd Aux Notched in Service
61808-03	Stager Assy, 48-00, NXT 24VAC, SC, 2nd Aux Notched In Backwash
1074817	Kit, Internal Parts, 48-00 Stager
61817-01	Cam Assy, 48-00 NXT, HMG, no 2nd Aux Cam
61817-02	Cam Assy, 48-00 NXT, SA, 2nd Aux Notched in Service
61817-03	Cam Assy, 48-00 NXT, SC, 2nd Aux Notched in Backwash

### 51-09 ES Stager Assembly

61809-01	Stager Assy, 51-09, NXT 24VAC, HMG, No 2nd Aux Switch
61809-02	Stager Assy, 51-09, NXT 24VAC, SA, 2nd Aux Notched in Service
61809-03	Stager Assy, 51-09, NXT 24VAC, SD, 2nd Aux Notched in Backwash
61809-04	Stager Assy, 51-09, NXT 24VAC, SH, 2nd Aux Notched in Refill
1074888	Kit, Internal Parts, 51-09 Stager
61818-01	Cam Assy, 51-09 NXT, HMG, No 2nd Aux Switch
61818-02	Cam Assy, 51-09 NXT, SA, 2nd Aux Notched in Service
61818-03	Cam Assy, 51-09 NXT, SD, 2nd Aux Notched in Backwash
61818-04	Cam Assy, 51-09 NXT, SH, 2nd Aux Notched in Refill

### Meter Assembly, In Line

60613	Meter Assy, 1", Elec., Brass Body, PDL
60614	Meter Assy, 1-1/2", Elec., Brass Body, PDL
60616	Meter Assy, 2", Elec., Brass Body, PDL
60617	Meter Assy, 3", Elec., Brass Body, PDL
60625	Meter Assy, 2", Elec., Plastic, PDL
61560-01	Meter Assy, 1", Elec., Plastic, Turbine
61560-07	Meter Assy, 1", Elec., Brass THDS, Turbine (Fleck)
61560-09	Meter Assy, 1-1/2", Elec., Brass THDS, Turbine (Fleck)
61560-13	Meter Assy, 1-1/2", Elec., Plastic, Turbine (Fleck)

### Service Parts Common To Both 48ES & 51 ES Stager Control

61783	Kit, 48/51 ES NEMA4, Solenoid
61784	Kit 48/51 ES, 3214 NXT, CKT Board & Keypad
61764	Cable Assy, Communication, CAT 5, 5 Meters Long
42469	Transformer, 120V/24V, 40VA
41049	Transformer, 220/24V/EUR/108VA
41050	Transformer, 220/24V/AUST/108VA
19121-09	Meter Cable, 99.5", Paddle Wheel
19121-10	Meter Cable, 303.5", Paddle Wheel
19791-04	Meter Cable, 100", Turbine (Fleck)
19791-05	Meter Cable, 304", Turbine (Fleck)
1075499	Switch, Micro
40941	Wire Harness, Upper Drive
1075502	Wire Harness, 2nd Aux Switch
43001	Motor





